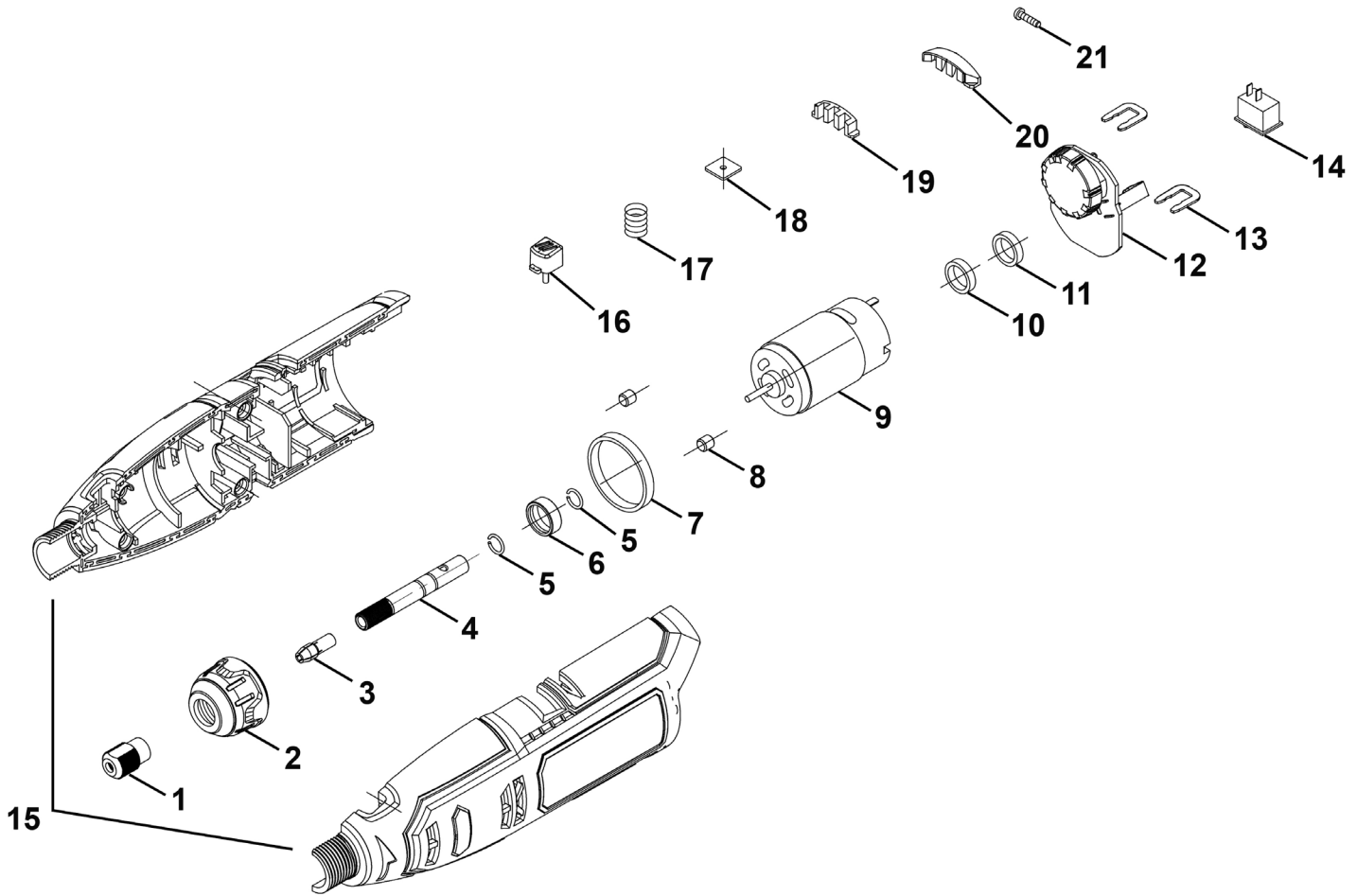




Parts Information:
**Multipurpose Mini Grinder & 50pc
 Accessory Kit 10.8V SV10.8 Series - Body
 Only**
Model No: CP108VMGBO



Item	Part No.	Description	Qty
1	CP108VMGBO.01	Collet Nut	1
2	CP108VMGBO.02	Front Cover	1
3	CP108VMGBO.03	Collet	1
4	CP108VMGBO.04	Output Shaft	1
5	CP108VMGBO.05	C-Clip	2
6	CP108VMGBO.06	Bearing	1
7	CP108VMGBO.07	Damping Ring	1
8	CP108VMGBO.08	Damping Block	2
9	CP108VMGBO.09	Motor	1
10	CP108VMGBO.10	Damping Ring	1
11	CP108VMGBO.11	Magnetic Ring	1
12	CP108VMGBO.12	PCB	1

Item	Part No.	Description	Qty
13	CP108VMGBO.13	Terminal Clip	2
14	CP108VMGBO.14	Switch	1
15	CP108VMGBO.15	Complete Housing	1
16	CP108VMGBO.16	Switch Button	1
17	CP108VMGBO.17	Switch Spring	1
18	CP108VMGBO.18	Lock Button	1
19	CP108VMGBO.19	Indicator Holder	1
20	CP108VMGBO.20	Indicator Holder Cover	1
21	CP108VMGBO.21	Screw	4
--	CP108VMGBO. ACC	50pcs Accessory Kit (Not Shown)	1

NOTE: It is our policy to continually improve products and as such we reserve the right to alter data, specifications and component parts without prior notice. There may be alternative versions of this product, please contact us should you require this information.

IMPORTANT: No liability is accepted for incorrect use of product. Spare parts must be fitted by a competent person

WARRANTY: Guarantee is 12 months from purchase date, proof of which will be required for any claim.

Sealey Group, Kempson Way, Suffolk Business Park, Bury St Edmunds, Suffolk. IP32 7AR



01284 757500



sales@sealey.co.uk



www.sealey.co.uk